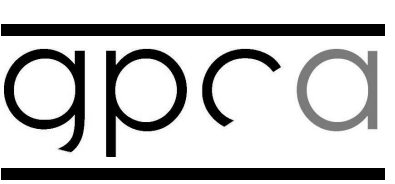




Ownership & Use of Documents  
 Drawings and specifications, as instruments of professional service are and shall remain the property of the architect. These documents are not to be used in whole or in part for any project or purposes whatsoever, without the prior specific written authorization of GPC Architects PLLC.

Engineered Systems Associates  
 ESA JOB NUMBER 19017

GRAND PEAKS MEDICAL CLINIC  
 ST. ANTHONY, IDAHO

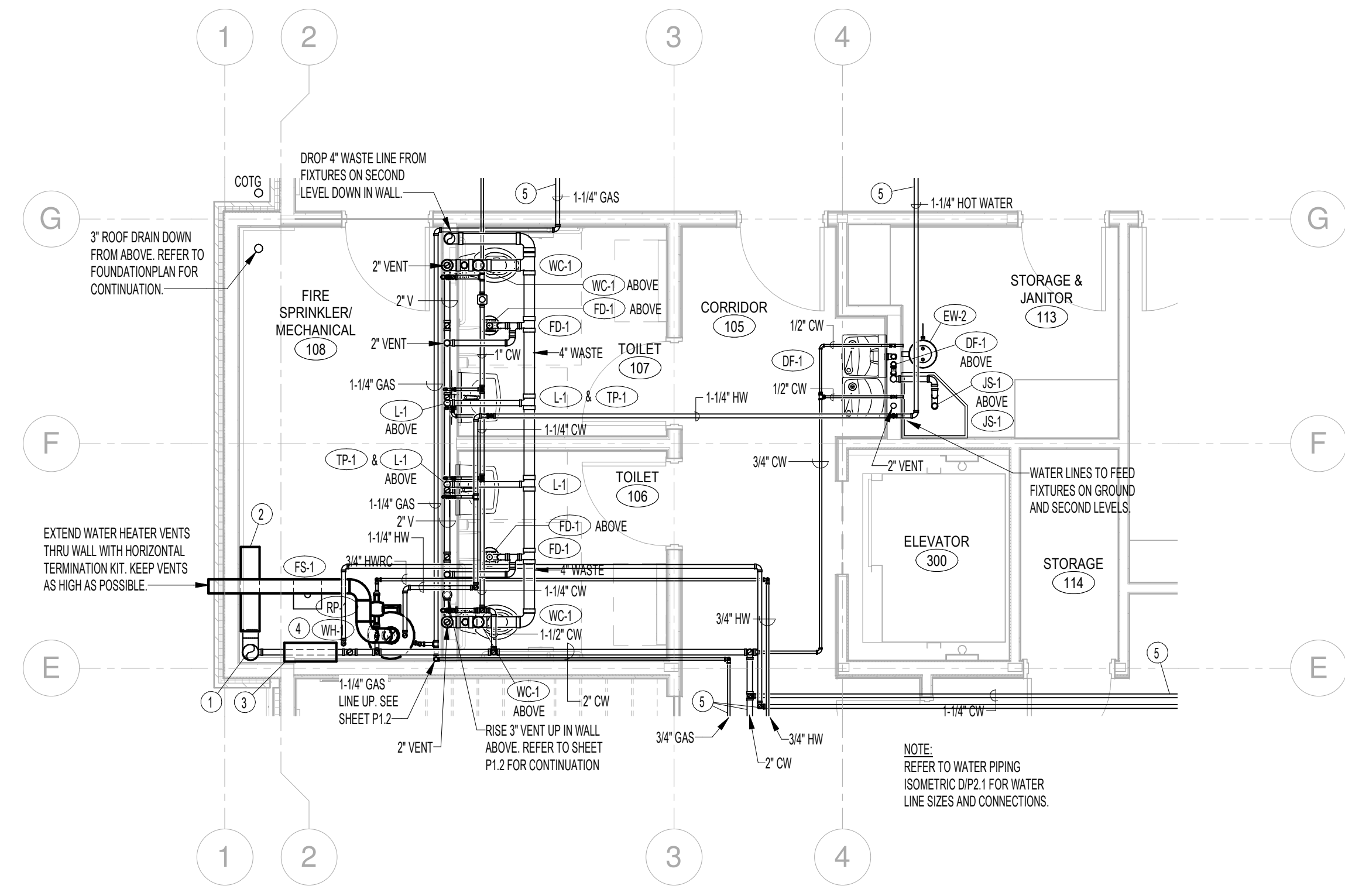


revisions

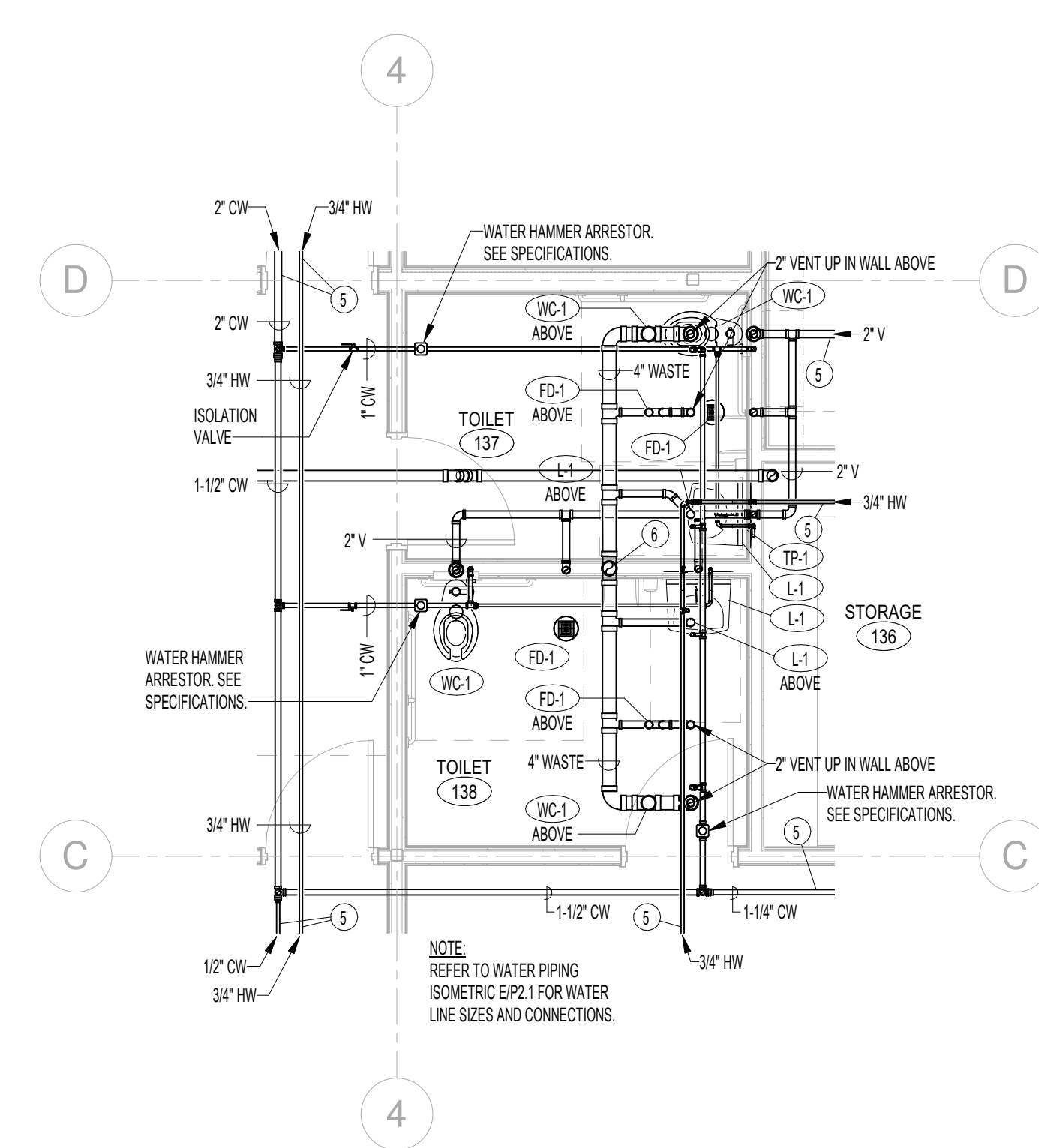
no.	description	date

project: 1804  
 date: 06/06/19  
 LARGE SCALE PLANS AND ISOMETRICS

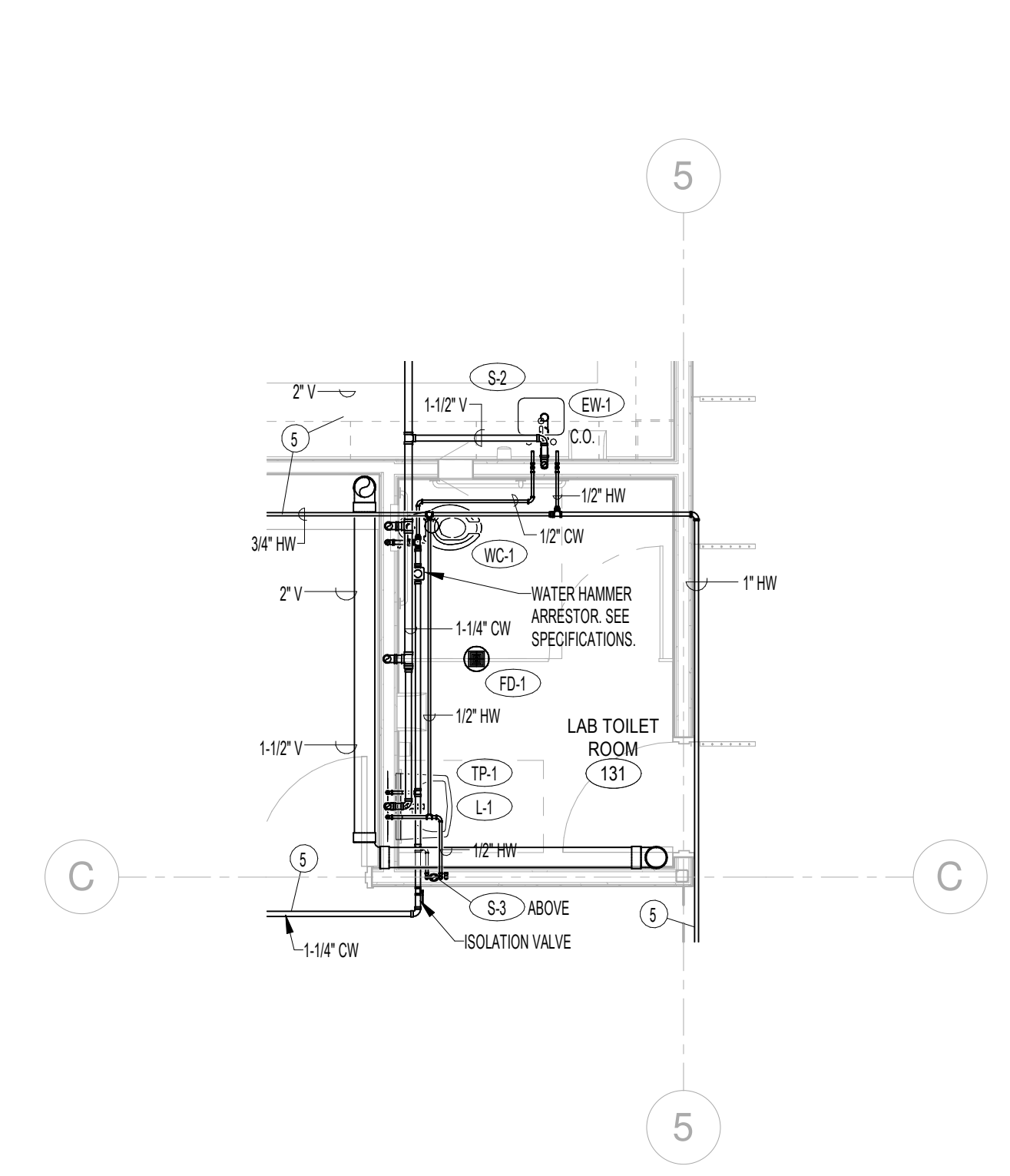
sheet:  
**P2.1**



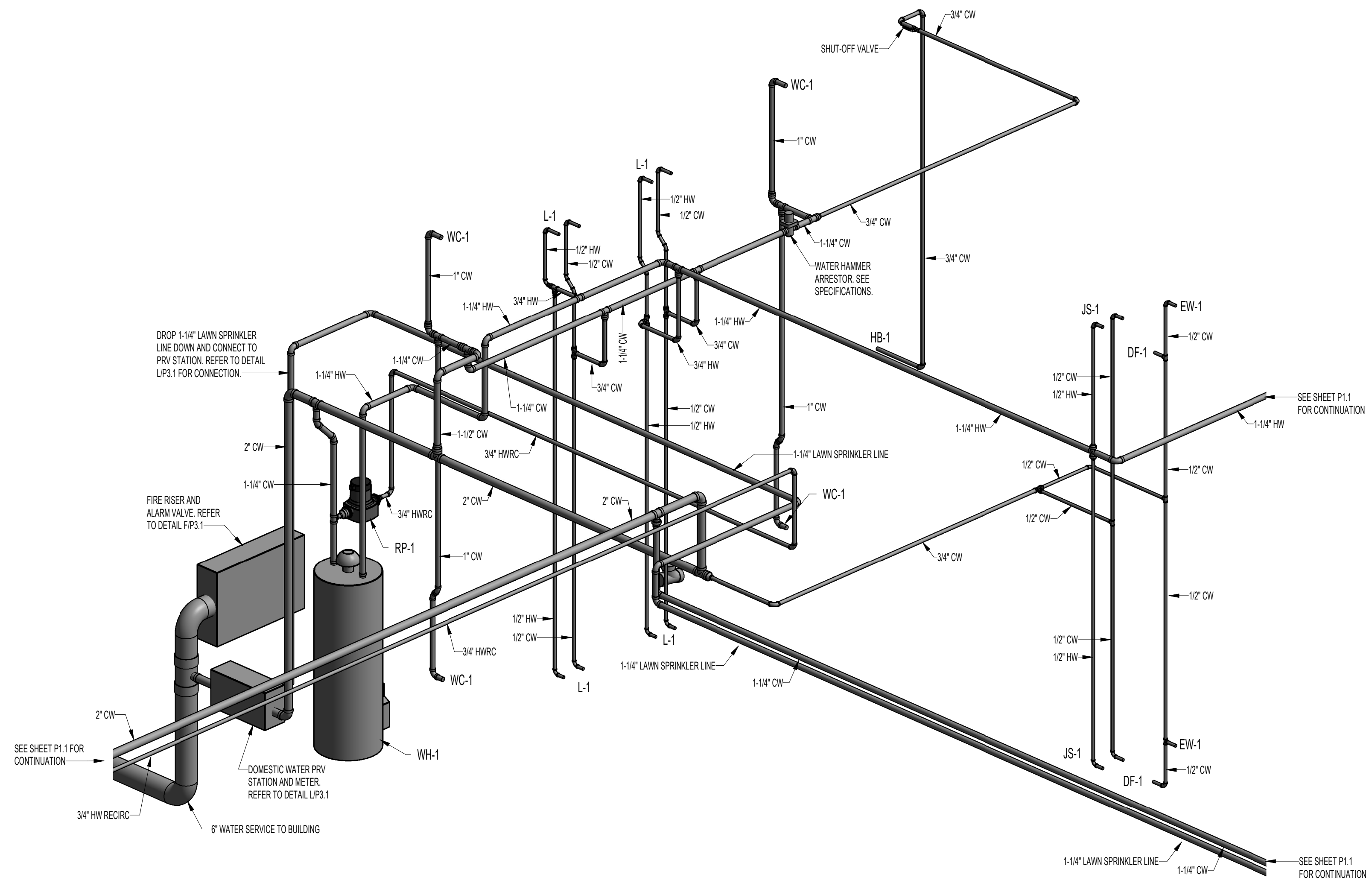
**A** LARGE SCALE TOILET ROOMS 106 & 107  
 SCALE: 1/4" = 1'-0"  
 NORTH



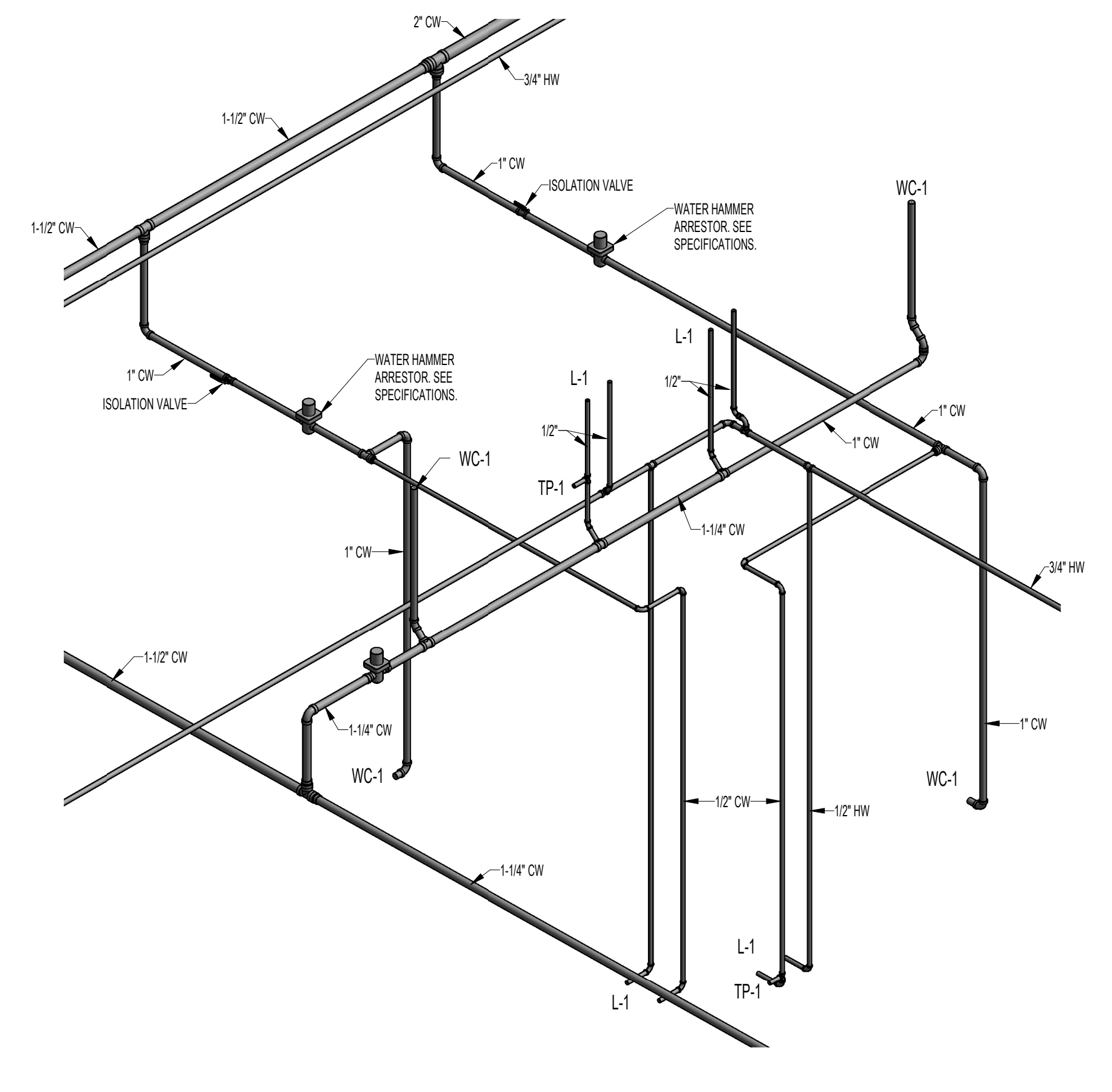
**B** LARGE SCALE TOILET ROOMS 137 & 138  
 SCALE: 1/4" = 1'-0"  
 NORTH



**C** LARGE SCALE TOILET ROOM 131  
 SCALE: 1/4" = 1'-0"  
 NORTH



**D** TOILET ROOMS 106, 107, 205 & 206 WATER PIPING ISOMETRIC  
 NO SCALE.



**E** TOILET ROOMS 137, 138, 239 & 240 WATER PIPING ISOMETRIC  
 NO SCALE.

- PLAN NOTES:**
- RISE 6" COLD WATER SERVICE LINE UP IN MECHANICAL ROOM. CONNECT TO FIRE RISER AND ALARM AND TO DOMESTIC WATER PRESSURE REDUCING STATION.
  - CONNECT 6" WATER LINE TO FIRE RISER AND ALARM. REFER TO DETAIL FP3.1 FOR TYPICAL INSTALLATION.
  - CONNECT 2" COLD WATER LINE TO PRESSURE REDUCING STATION. REFER TO DETAIL LP3.1 FOR PIPING CONNECTIONS.
  - PROVIDE AND INSTALL GAS FIRED WATER HEATER AS SPECIFIED. CONNECT TO 1" HOT AND COLD WATER LINES AND TO 3/4" HOT WATER RECIRC LINE WITH SHUT-OFF VALVES. HEATER TO BE COMPLETE WITH THERMAL EXPANSION TANK, HOT WATER MIXING VALVE, HEAT TRAP NIPPLES AND RECIRCULATING PUMP. REFER TO DETAIL KP3.1 FOR TYPICAL PIPING CONNECTIONS.
  - SEE SHEET P1.1 FOR CONTINUATION OF PIPING.
  - DROP 4" WASTE LINE FROM SECOND LEVEL FIXTURES DOWN IN WALL. REFER TO FOUNDATION PLAN ON SHEET P1.1 FOR CONTINUATION.